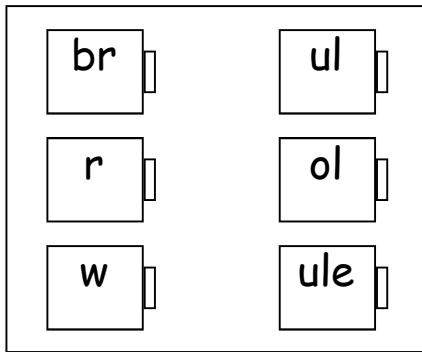
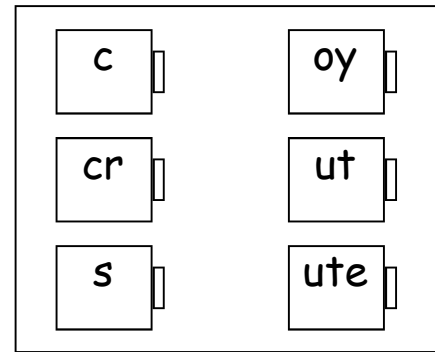


Phonics Cubes

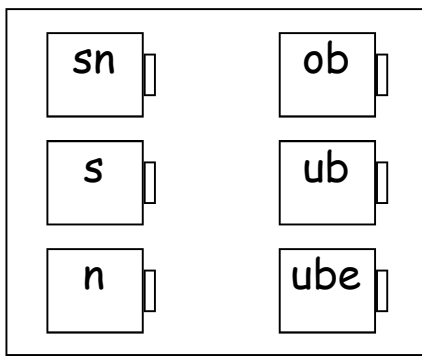
1



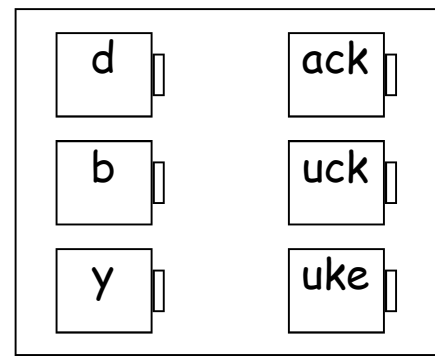
5



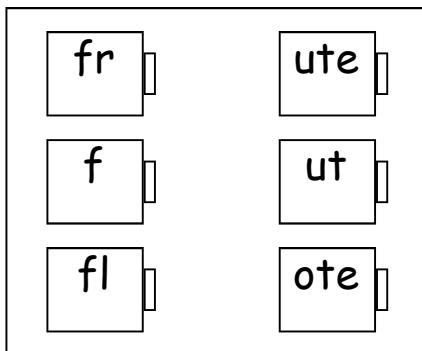
2



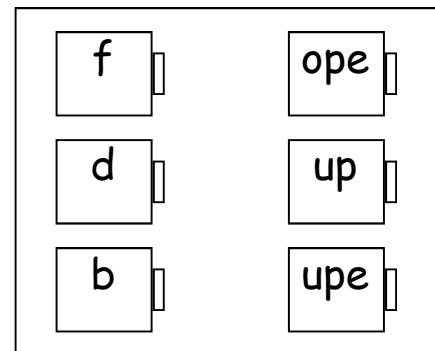
6



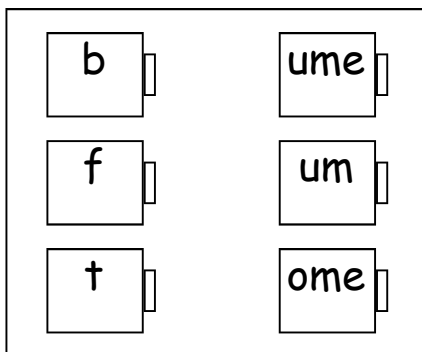
3



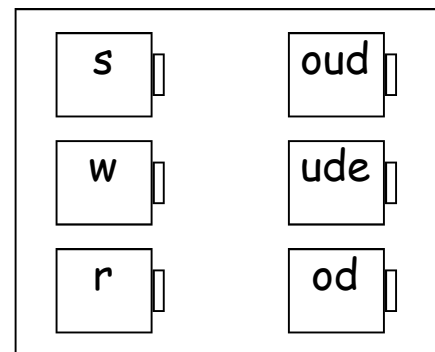
7



4

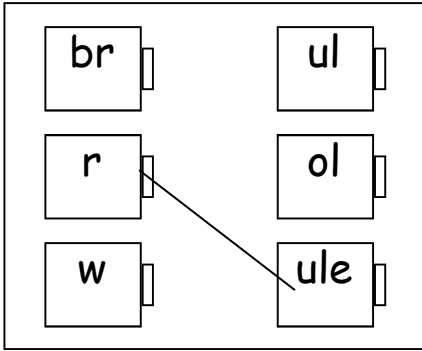


8

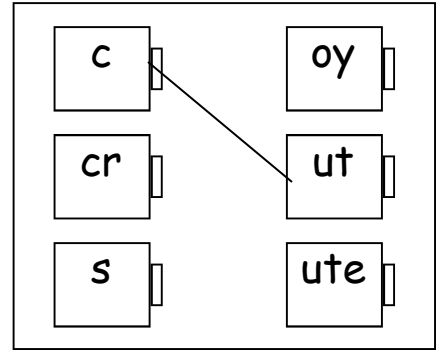


Phonics Cubes

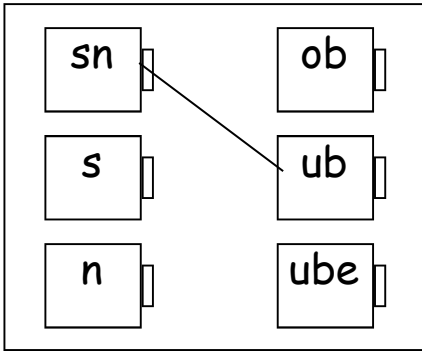
1



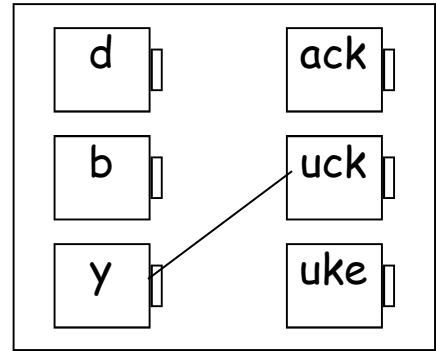
5



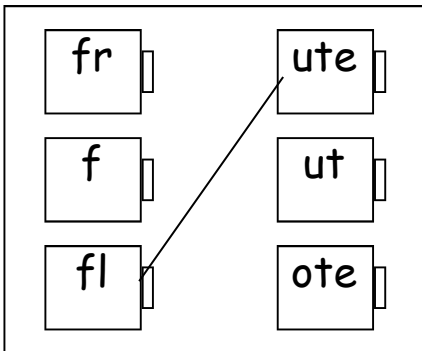
2



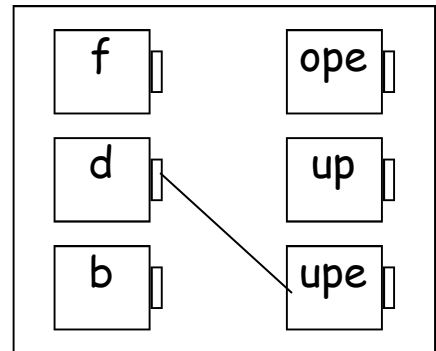
6



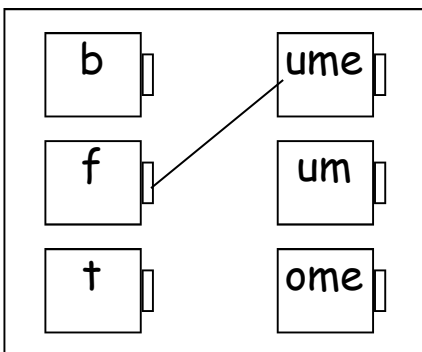
3



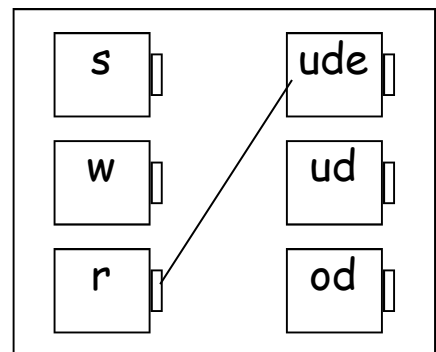
7



4



8



Phonics Cubes

Read aloud the following words as the students match the letters to make words.

1. rule
2. snub
3. flute
4. fume
5. cut
6. yuck
7. dupe
8. rude