

Phonics Cubes

1

l	ock
cl	oke
cr	oak

5

fl	upe
l	ope
f	op

2

w	obe
f	ob
r	od

6

s	ack
st	oke
t	ock

3

cl	ab
g	obe
gl	ob

7

s	ot
f	ote
t	at

4

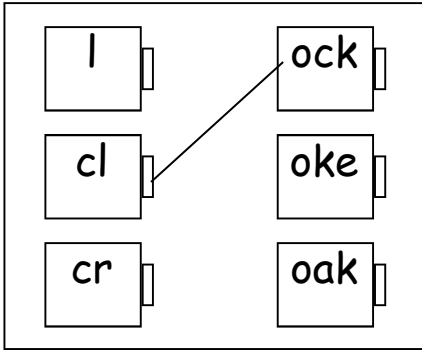
m	up
n	ope
w	op

8

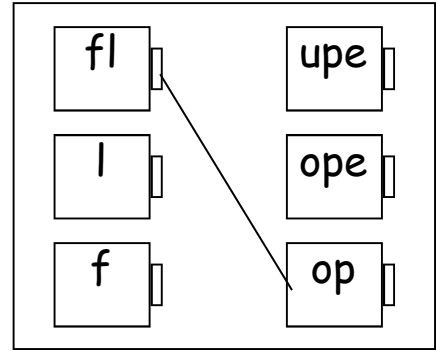
h	am
k	ome
w	ume

Phonics Cubes

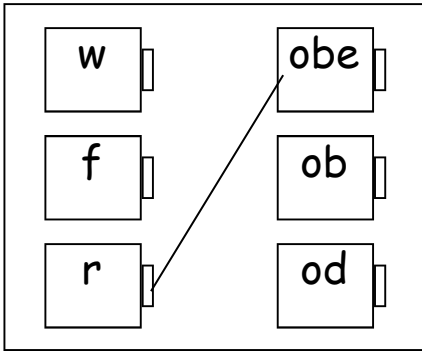
1



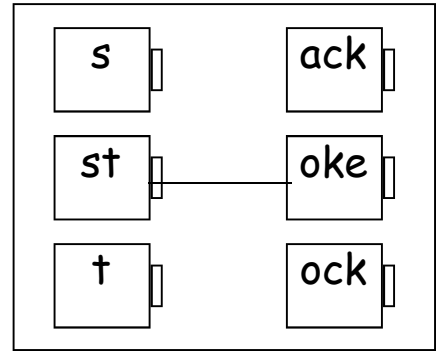
5



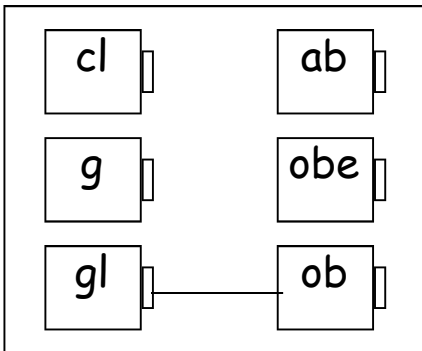
2



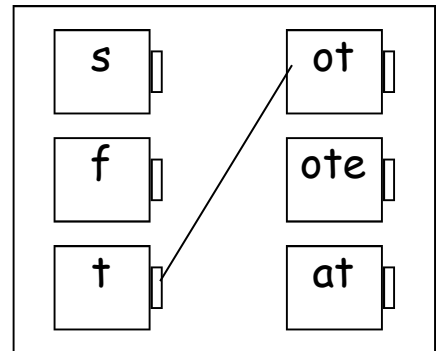
6



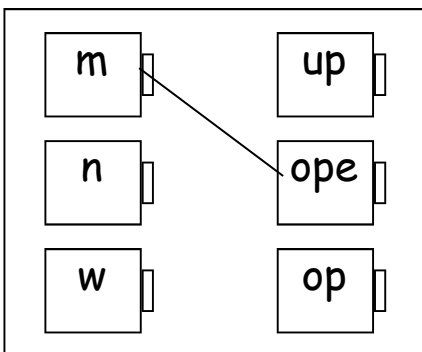
3



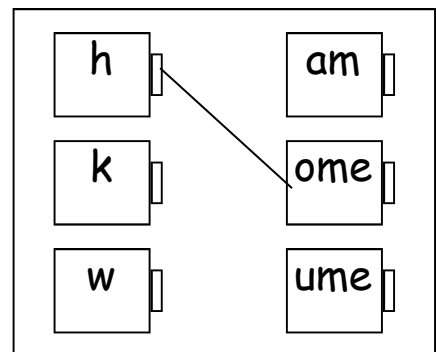
7



4



8



Phonics Cubes

Read aloud the following words as the students match the letters to make words.

1. clock
2. robe
3. glob
4. mope
5. flop
6. stoke
7. tot
8. home